

Wood fibre facade FP-H

With an insulating core made of sustainable raw materials - concealed mounting.



Standard DESIGN AND SURFACES

Coil-coated, hot-dip galvanised steel sheet

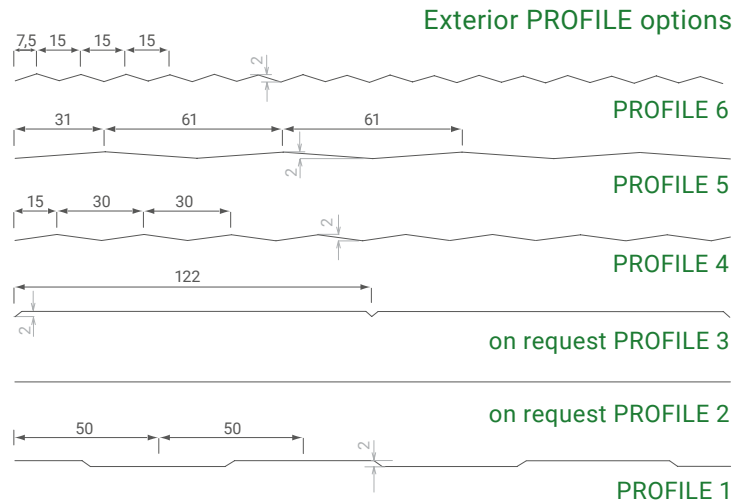
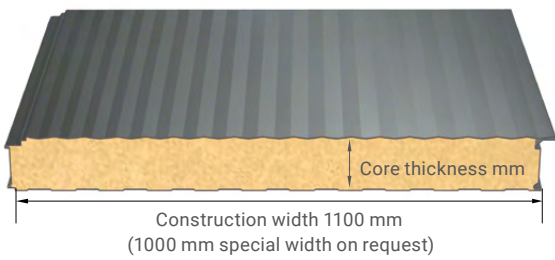
EXTERIOR:	<ul style="list-style-type: none">Exposed side 25 µm polyester coating with a PVC protective film (protects against solar radiation). The film must be removed no later than 10 weeks after the production date (visible on the longitudinal joint of the panel).Profile 5 = Standard, for other profiles see FP-H profilesMetal gauge: 0.6 mm (smaller metal gauge on request)
INTERIOR:	<ul style="list-style-type: none">Exposed side 25 µm polyester coating with a PVC protective film (protects against solar radiation). The film must be removed no later than 10 weeks after the production date (visible on the longitudinal joint of the panel).Profile 1 = standard (profile 2 and 3 on request)Metal gauge: 0.6 mm (smaller metal gauge on request)
INSULATION CORE:	<ul style="list-style-type: none">The wood for the wood fibre is sourced from responsibly managed forests and is independently certified according to the FSC[®] guidelines (Forest Stewardship Council[®]). Other materials: PUR resin and paraffinSecurely attached to the sheet steel shellGross density approx. 110 kg/m³
FIRE BEHAVIOUR:	<ul style="list-style-type: none">In line with EN 13501-1, from 120 mm Bs1d0
GLOWING AND SMOULDERING BEHAVIOUR OF INSULATING CORE:	<ul style="list-style-type: none">In accordance with test certificate from MPA Dresden > 60 minutes.
STANDARD COLOURS:	<ul style="list-style-type: none">In accordance with BASIC colour range
PANEL CONNECTION:	<ul style="list-style-type: none">Tongue and groove system in which the special labyrinth profile allows the screw head to be countersunk and fully covered by the next panel – covered, concealed mounting.
EXTERNAL MONITORING:	National and international tests, quality standards
VAPOUR DIFFUSION:	<ul style="list-style-type: none">Determined by climatic conditions inside building. Panels must be installed vapour tight.
PANEL INSTALLATION:	<ul style="list-style-type: none">When working with our products, please follow our installation guidelines at www.brucha.com/downloads.



BRUCHA[®]Panel

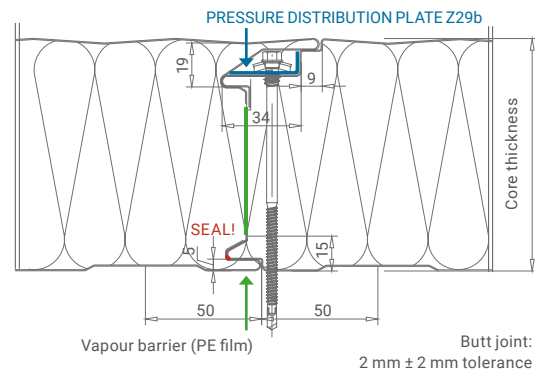
Wood fibre facade FP-H

The ecologically sustainable panel with an insulating core
 Made from natural wood fibre - concealed mounting.



Panel type	FP-H 60	FP-H 80	FP-H 100	FP-H 120	FP-H 140	FP-H 150	FP-H 160	FP-H 180	FP-H 200	FP-H 240
Core thickness mm	60	80	100	120	140	150	160	180	200	240
U value W/m ² K - EN 14509 including joint section	0.673	0.503	0.398	0.331	0.284	0.265	0.248	0.221	0.198	0.165
Weight kg/m ²	16.3	18.5	20.7	22.9	25.1	26.2	27.3	29.5	31.7	36.1

Detail/joint geometry



Manufacturing tolerances:	In line with EN 14509
Manufacturing lengths:	Max. 15.3 m (extra-long transport from 13.6 m) ATTENTION! Danger of kinking due to heavy weight in the case of long panels!
Fire behaviour:	in line with EN 13501-1, from 120 mm Bs1d0

