

BRUCHA[®]Panel

PIR+ Facade Premium – FP-P

Concealed mounting

Standard DESIGN AND SURFACES

Coil-coated, hot-dip galvanised steel sheet

EXTERIOR:	<ul style="list-style-type: none">Exposed side 25 µm polyester coating with a PVC protective film (protects against solar radiation). The film must be removed no later than 10 weeks after the production date (visible on the longitudinal joint of the panel).Profile 6 = Standard, for other profiles see FP-P PROFILE optionsMetal gauge: 0.6 mm (smaller metal gauge on request)
INTERIOR:	<ul style="list-style-type: none">Exposed side 25 µm polyester coating with a PVC protective film (protects against solar radiation). The film must be removed no later than 10 weeks after the production date (visible on the longitudinal joint of the panel).Profile 1 = standard (profile 2 and 3 on request)Metal gauge: 0.5 mm (smaller metal gauge on request)
INSULATION CORE:	<ul style="list-style-type: none">PIR+/polyurethane rigid foam manufactured in continuously foamed process with reduced thermal conductivity of 0.019 W/mK, approx. 95 % closed cells, securely attached to the steel sheetDensity approx. 40 kg/m³, absolutely no chlorofluorocarbons or halogenated chlorofluorocarbons – pentane foam process
FIRE BEHAVIOUR:	<ul style="list-style-type: none">In line with EN 13501-1, Euroclass Bs1d0
STANDARD COLOURS:	<ul style="list-style-type: none">In accordance with BASIC colour range
PANEL CONNECTION:	<ul style="list-style-type: none">Double tongue and groove system in which the special labyrinth profile allows the screw head to be countersunk and fully covered by the next panel – covered, concealed mounting. The integrated seals guarantee maximum wind proofing. The panels interlink precisely with no thermal bridge. The PREMIUM FP-P facade panel offers outstanding structural characteristics, as well as enabling even greater span widths through the use of the pressure distribution plate.
SPECIFICATIONS:	Download from www.brucha.com
EXTERNAL MONITORING:	National and international tests, quality standards



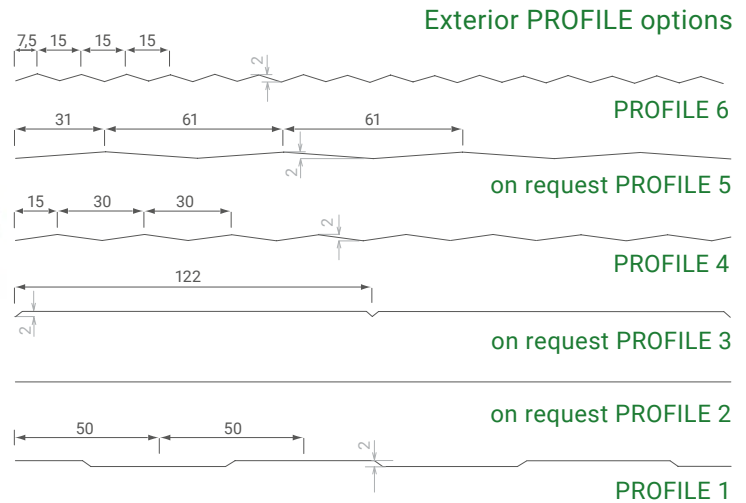
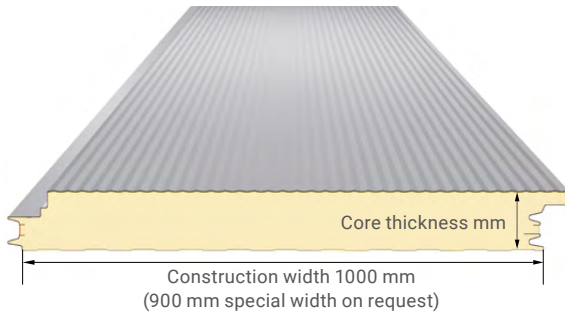
We will be happy to send certificates on request!



BRUCHA[®]Panel

PIR+ Facade Premium – FP-P

Concealed mounting



Panel type	FP-P 80	FP-P 100	FP-P 120	FP-P 140	FP-P 160	FP-P 180	FP-P 200
Core thickness mm	80	100	120	140	160	180	200
U-value W/m ² K - EN 14509 including joint section	0.288	0.225	0.186	0.159	0.138	0.124	0.111
Weight kg/m ²	13.8	14.6	15.4	16.2	17.0	17.8	18.6

Manufacturing tolerances:	In line with EN 14509
Manufacturing lengths:	Max. 16.0 m (extra-long transport from 13.6 m)
Span width tables:	From Dr Wilhelm Pilgram – Vienna
Sound insulation:	26 dB at 80 mm, 27 dB from 100 mm core thickness
Temperature resistance:	90°C

